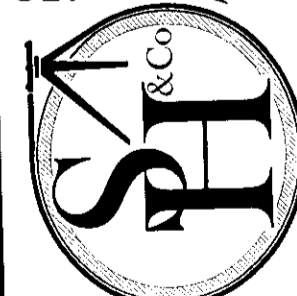


DATE	
REVISION	

**LANDSCAPING PLAN**  
**LOT 3, BLOCK 1, TRILLIUM FOURTH ADDITION**  
**BISMARCK, NORTH DAKOTA**

**SWENSON, HAGEN & COMPANY P.C.**  
909 Basin Avenue  
Bismarck, North Dakota 58504  
sh@shandco.com  
Phone (701) 223-2600  
Fax (701) 223-2606



DRAWN BY: CK  
CHECK BY: JP  
DATE: 3-20-14  
FILE DESC:  
COMPUTER FILE:  
TRILLIUM/L3B1  
SITEPLAN.dwg

**SHEET**  
**C4.0**

**GENERAL LANDSCAPING NOTES FOR ALL SHEETS**

- 1. ALL CONTRACTORS WISHING TO SUBMIT BIDS FOR THIS LANDSCAPING PROJECT SHALL BE RESPONSIBLE FOR FIELD VERIFYING ALL CONDITIONS.
- 2. PROTECT THE IMPROVEMENTS ON SITE AND ON THE ADJOINING PROPERTIES. PROVIDE BARRICADES, COVERINGS OR OTHER TYPE OF PROTECTION AS NECESSARY TO PREVENT DAMAGE AND TO SAFEGUARD AGAINST INJURY TO EXISTING UTILITIES.
- 3. DAMAGE THAT OCCURS TO PLANTS DURING TRANSPORTATION AND INSTALLATION WILL BE THE RESPONSIBILITY OF THE LANDSCAPE CONTRACTOR.
- 4. ALL PLANTING BEDS SHALL BE INSTALLED WITH 3" OF 2" CRUSHED ROCK MULCH, LANDSCAPE FABRIC WITH A MINIMUM WEIGHT OF 4 OZ./SY, AND WHEREVER NECESSARY, 6" COMMERCIAL GRADE BLACK PLASTIC EDGING TO CONTAIN THE PLANTING BED.
- 5. ALL LANDSCAPE PLANTINGS ARE TO BE WATERED BY THE LANDSCAPE CONTRACTOR THE SAME DAY THAT THE PLANTING OCCURS. IF WATER IS NOT AVAILABLE AT THE BUILDING, THE LANDSCAPE CONTRACTOR SHALL PROVIDE ALTERNATIVE METHODS FOR WATERING.
- 6. SOLITARY TREES DO NOT NEED TO BE EDGED AROUND, HOWEVER ORGANIC WOOD MULCH SHALL BE PLACED AROUND THE TREE IN A MUTTLE RING THAT CONFORMS TO THE DETAIL PROVIDED FOR TREE PLANTINGS.
- 7. CONTRACTOR SHALL PROVIDE WRITTEN WARRANTIES CONFIRMING THE FOLLOWING:
  - 8. FURNISHED TREES GUARANTEED TO LIVE AND REMAIN STRONG, VIGOROUS, AND HEALTHY CONDITION FOR 365 DAYS MINIMUM FROM DATE LANDSCAPE INSTALLATION IS ACCEPTED AS COMPLETED.
  - 9. LANDSCAPE CONTRACTOR SHALL BE RESPONSIBLE FOR WATERING AND CARING FOR ALL PLANT MATERIAL AND OTHER LANDSCAPING IMPROVEMENTS UNTIL THE DATE OF FINAL INSPECTION AND APPROVAL.

**TOPSOIL NOTES**

- 1. TOPSOIL IS STOCKPILED ON SITE AND WILL BE PLACED FOR THE LANDSCAPE CONTRACTOR TO SPREAD AND FINISH GRADE. ALL PORTIONS OF THE SITE NOT RECEIVING CONCRETE, CURB & GUTTER OR OTHER IMPROVEMENTS SHALL BE COVERED WITH A MINIMUM OF 6" OF TOPSOIL AND SEEDED ACCORDING TO SPECIFICATIONS.
- 2. TOPSOIL SHALL BE PLACED AND SEEDING AS SOON AS PRACTICAL TO MINIMIZE WIND AND WATER EROSION. BACKFILL BEHIND CURB AND GUTTERS AND SIDEWALK AS SOON AS REASONABLE TO PREVENT STANDING WATER AND PROTECT THE IMPROVEMENTS.

**SEEDING NOTES**

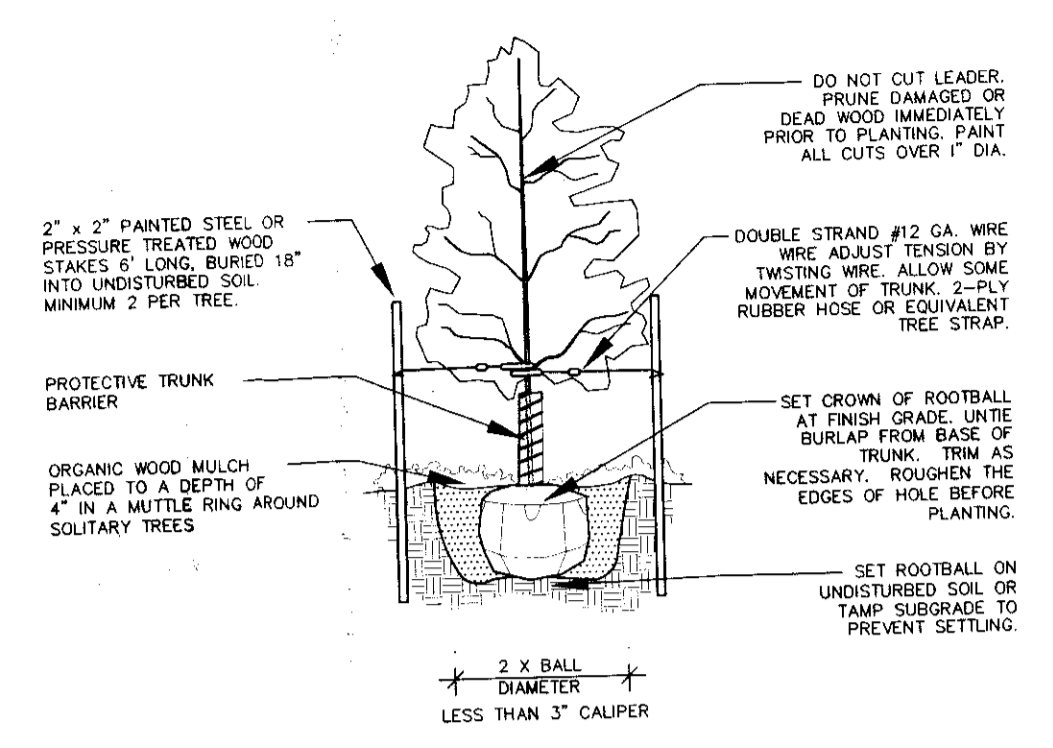
- 1. CLEAR AND GRUB SITE BEFORE SEEDING ENSURING THAT THE SITE IS IN A SMOOTH CONDITION WITH NO DEBRIS OR ROCKS LARGER THAN 2" IN DIAMETER.
- 2. FERTILIZE SOIL DURING THE SEEDING PROCESS USING AN APPROPRIATE APPLICATION PROCESS. FERTILIZER SHALL BE 10-10-10 AND APPLIED AT A RATE OF 4 LBS. PER 1000 SQUARE FEET.
- 3. SEED SHALL BE DRILL SEEDING TO A DEPTH OF 1/4" TO 1/2" AND SHALL BE EVENLY SPREAD. AFTER SEED HAS BEEN SOWN, THE SOIL SHALL BE REPAKED IMMEDIATELY AFTER THE SEED IS APPLIED TO FIRM THE SOIL AROUND THE SEED. NO SEED SHALL BE PLACED ON DAYS WHERE THE WIND IS STRONG ENOUGH TO PREVENT IT FROM BEING PROPERLY IMBEDDED INTO THE SOIL.
- 4. SEED MUST SHOW A DENSITY OF 20 TO 30 SEEDLINGS PER SQUARE FOOT BEFORE ACCEPTANCE WILL OCCUR. THE CONTRACTOR SHALL FURNISH AND REPLACE WITHOUT ADDITIONAL COMPENSATION THEREFORE, ANY SEED FOR AREAS THAT HAVE NOT GERMINATED, HAVE DIED, OR ARE DAMAGED TO THE EXTENT THAT REPLACEMENT IS REQUIRED TO CONFORM TO THE REQUIREMENTS OUTLINED ABOVE. THE CONTRACT WARRANTY PERIOD SHALL ALSO APPLY TO THIS ITEM.
- 5. CONTRACTOR SHALL BE RESPONSIBLE TO REPAIR ANY EROSION SCARS OR WASHOUTS UNTIL THE DATE THAT FINAL SEED STAND IS ACCEPTED. SEE EROSION CONTROL PLAN FOR EROSION CONTROL METHODS.

**PLANT PALETTE**

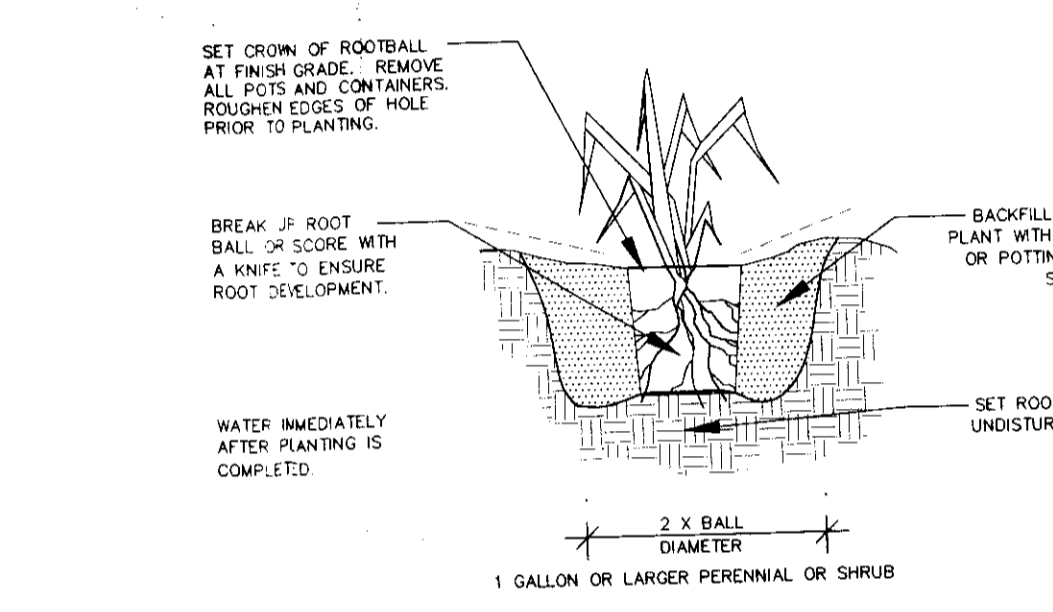
	SYM.	COMMON NAME	SCIENTIFIC NAME	SIZE	QNTY.
TREES	SS	SPRING SNOW CRABAPPLE	Malus 'Spring Snow'	1 1/2" Cal.	6
	HL	<del>HONEYLOCUST</del> <del>HOARWOOD</del>	Gleditsia triacanthos var. <del>inermis</del> <del>inermis</del>	2" Cal.	11
	KF	KARL FOERSTER GRASS	Calamagrostis x acutiflora	1 Gallon	12
SHRUBS	DK	DWARF KOREAN LILAC	Syringa meyeri 'Palibin'	2 Gallon	15
	DG	DWARF GLOBE BLUE SPRUCE	Picea pungens 'Glauca Globosa'	2 Gallon	6

**LANDSCAPING REQUIREMENTS**

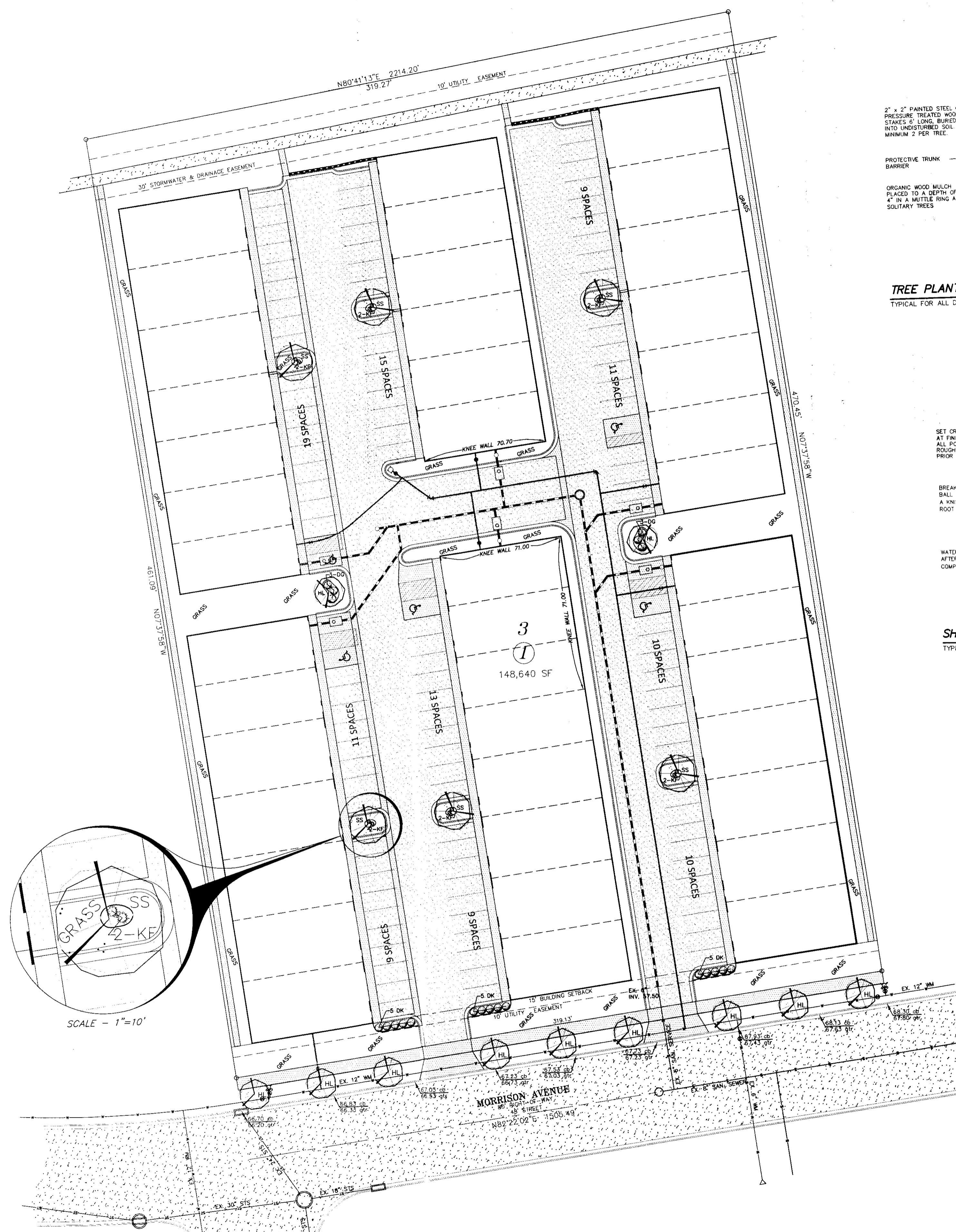
REQUIRED INTERIOR LANDSCAPING: 1,160 SF 6 SHADE TREES 18 SHRUBS	PROVIDED INTERIOR LANDSCAPING: 1,720 SF 8 SHADE TREES 18 SHRUBS
REQUIRED STREET TREES: 3 PER 100 FEET 9 TREES	PROVIDED STREET TREES: 9 TREES
REQUIRED PERIMETER PARKING: CONTINUOUS HEDGE	PROVIDED PERIMETER PARKING: CONTINUOUS HEDGE



**TREE PLANTING DETAIL**  
TYPICAL FOR ALL DECIDUOUS, SINGLE-TRUNK, TREES NTS



**SHRUB/PERENNIAL PLANTING DETAIL**  
TYPICAL FOR ALL SHRUBS AND PERENNIALS NTS



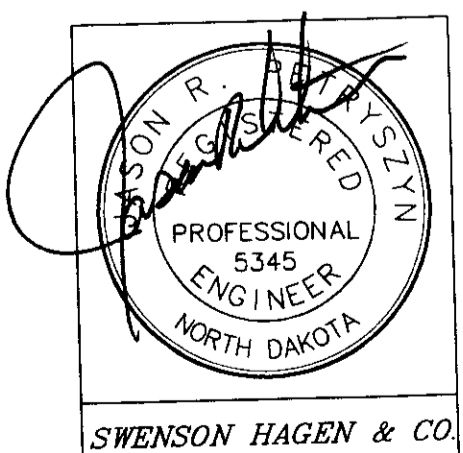
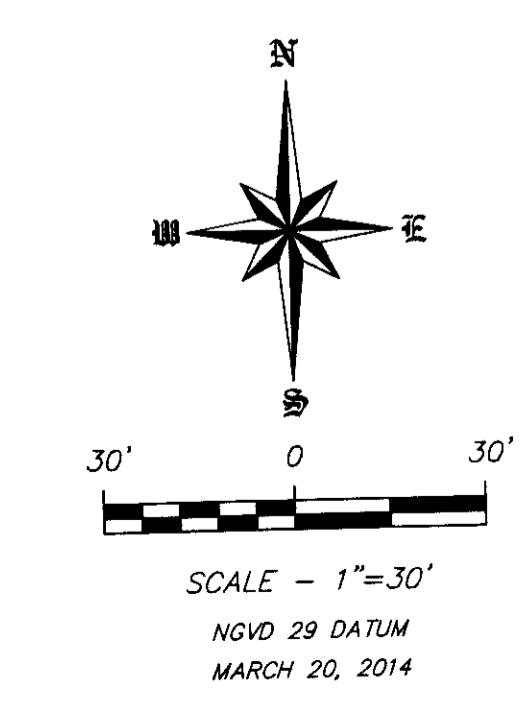
**WARRANTY / DISCLAIMER**  
The designs represented in these plans are in accordance with established practices of civil engineering. However, neither Swenson, Hagen & Co. nor its personnel can or do warrant these plans as constructed except in the specific cases where Swenson, Hagen & Co. personnel inspect and control the physical construction on a full time basis.

**SAFETY NOTICE TO CONTRACTOR**  
In accordance with generally accepted construction practices the contractor will be solely and completely responsible for conditions of the job site, including safety of all persons, and property during performance of the work. This requirement will apply continuously and not be limited to normal business hours.

**NOTICE TO CONTRACTOR**  
The location of existing underground utilities are shown in an approximate way only and have not been independently verified by the owner or its representatives. The Contractor shall determine the exact location of existing utilities before commencing work, and agree to be fully responsible for any and all damages which might be occasioned by the Contractor's failure to exactly locate and preserve any and all underground utilities.

**CALL BEFORE YOU DIG**  
**NORTH DAKOTA**  
**UTILITIES UNDERGROUND LOCATION SERVICE**  
**1-800-795-0555**

Copyright © 2014 by Swenson, Hagen & Co.  
All rights reserved. No part of this drawing may be used or reproduced in any form or by any means without the express written permission of Swenson Hagen & Co.



THIS DOCUMENT WAS ORIGINALLY SEALED BY R. PETRYSHYN, P.E. ON 3/20/14 AND THE ORIGINAL DOCUMENT IS STORED AT THE OFFICE OF SWENSON, HAGEN & CO. P.C.