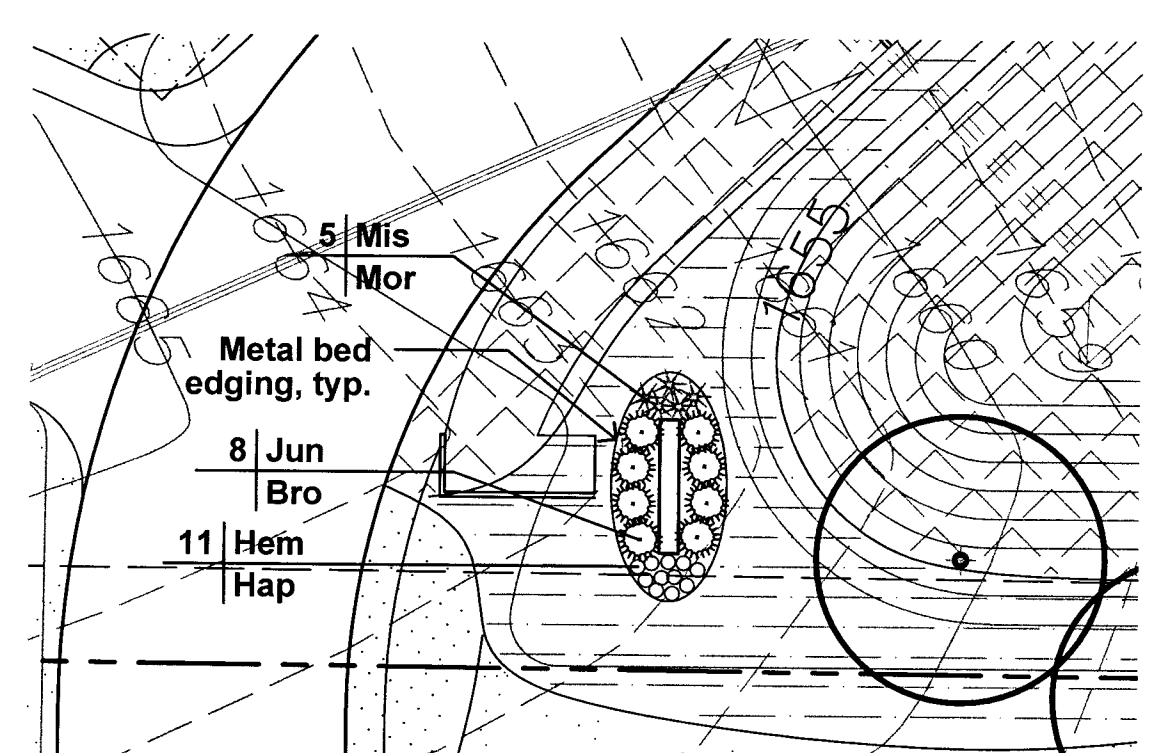
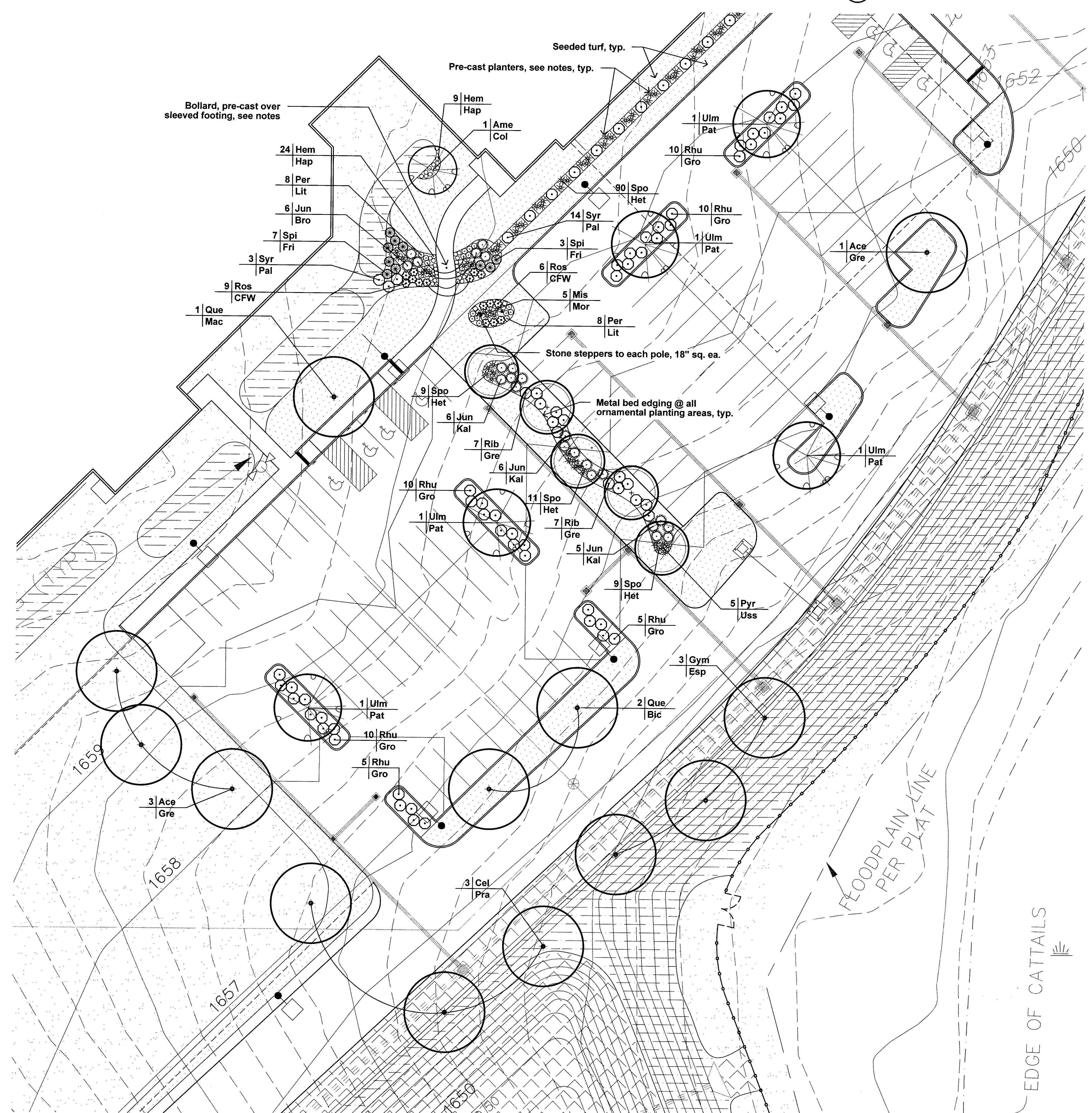


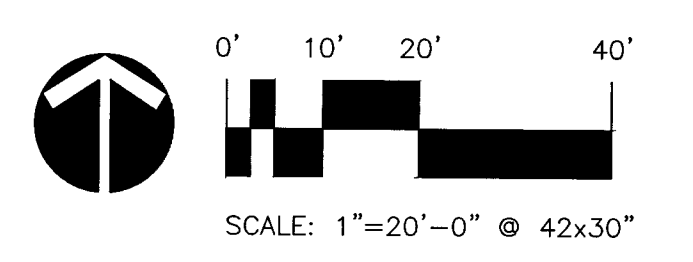
Consultant:



2 Monument Sign Enlargement



1 Public Entrance Enlargement



**Burlingame and Morton County's
 New Detention Center**

Planting Plan Enlargement

Revisions:

No.	Date	Description
1	02/04/2015	Adendum #01
2	02/02/2015	Kelvin #02
3	02/18/2015	City Stamp

Graphic Scale	
Project Number	130014
Set Type	CD
Date Issued	01/07/2015
Sheet Number	L200