

General Site Notes

1. Coordinate all plans, notes and dimensions with Civil, Architectural and Electrical drawings.
2. All new work to be constructed to be seamlessly integrated with existing surrounding.
3. Electrical Contractor responsible for all coordination and rough-in for underground conduits as described in the drawings.
4. All issues related to site work need to be directed to the Design-Builder.
5. Follow all City guidelines and requirements.

Site Plan Notes

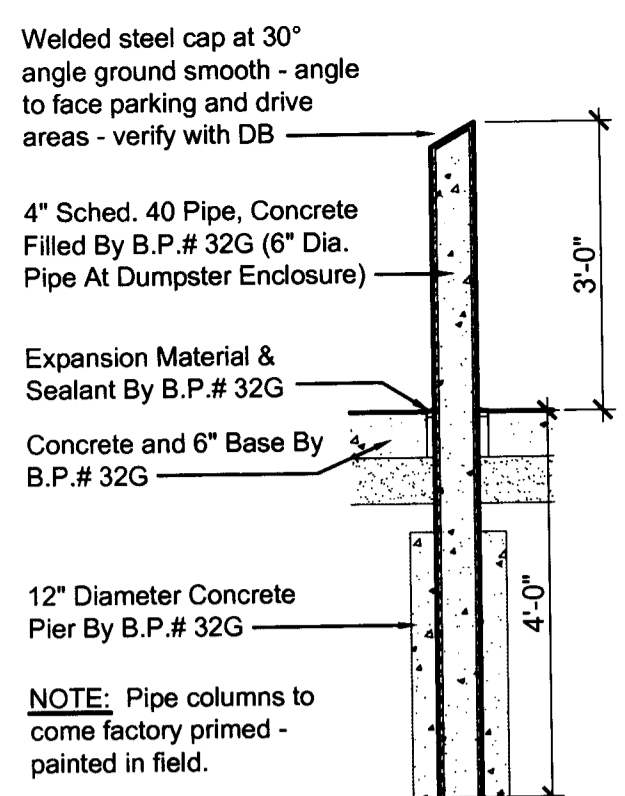
- 1 Site Pole & Bollard Lighting by Bid Group 2 - See Electrical for all underground requirements
- 2 Monumental Sign by Bid Group 2 - See Electrical for all underground requirements
- 3 Dumpster Pad - See Detail 3/A1.0 For Additional Information.
- 4 Post Mounted Handicap Parking Signage - See Civil
- 5 ADA Sidewalk Ramp With Truncated Dome Detectable Warning Panel(s) - See Civil
- 6 Bullet Paver Edging - See 7/A1.0
- 7 Parking Lot Striping - Typical. See Civil & Spec for requirements
- 8 Pipe Bollards - By B.P. 32G. See Detail 2/A1.0 for Additional Information - Coordinate Final Locations w/ Design Builder.
- 9 Valley Gutter - See Civil
- 10 11'x18'-6" Concrete Generator Pad - See Electrical for all Requirements
- 11 Retaining Wall - See Civil for all requirements
- 12 Guard Railing - See Spec for product and installation information
- 13 Utility Meter Locations
- 14 Utility Transformer & Pad - See Electrical for pad size and requirements
- 15 Teller Equipment & ATM by Owner - See Electrical for all underground requirements
- 16 Splashblocks

Revisions:

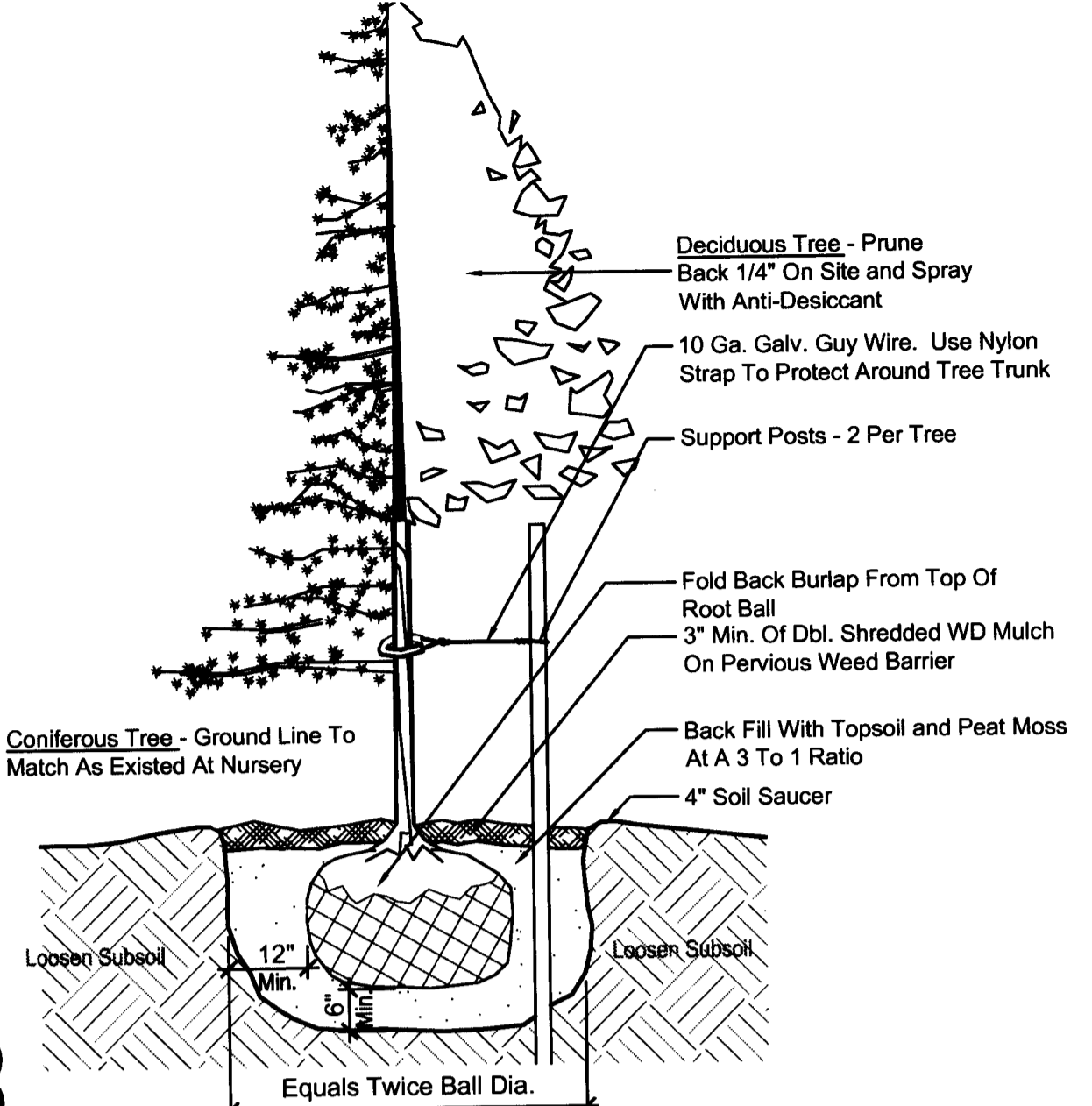
▲ (9-2-13) ADDENDUM 2

wild | crg
architecture | construction
200 2nd Avenue North, Suite 514
Bismarck, North Dakota, 58102
Phone: 701.293.1506
Fax: 701.293.1511
wildcrg.com

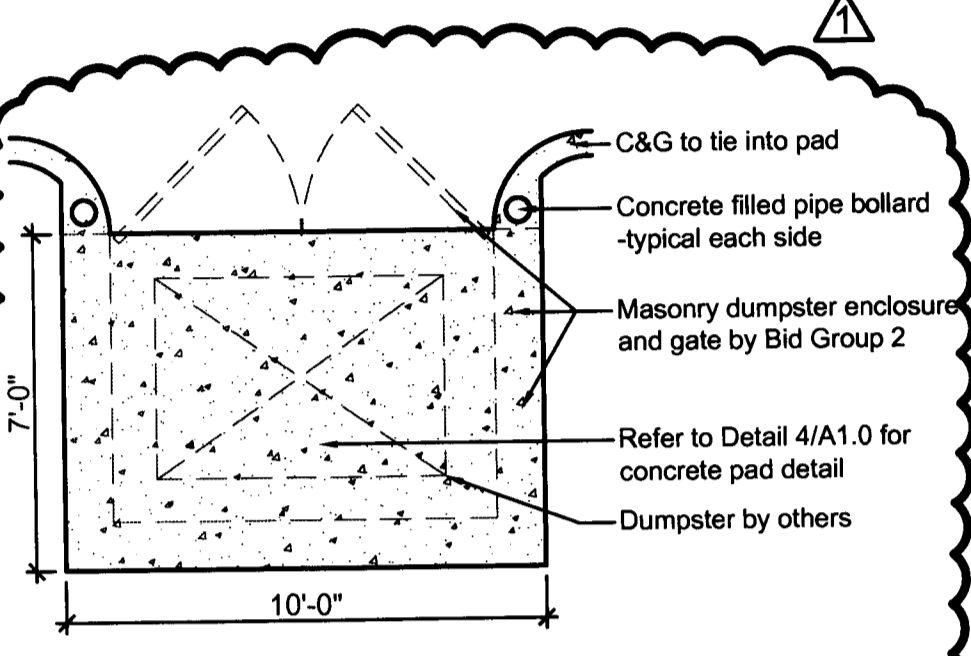
Site Plan, Landscape Plan & Details



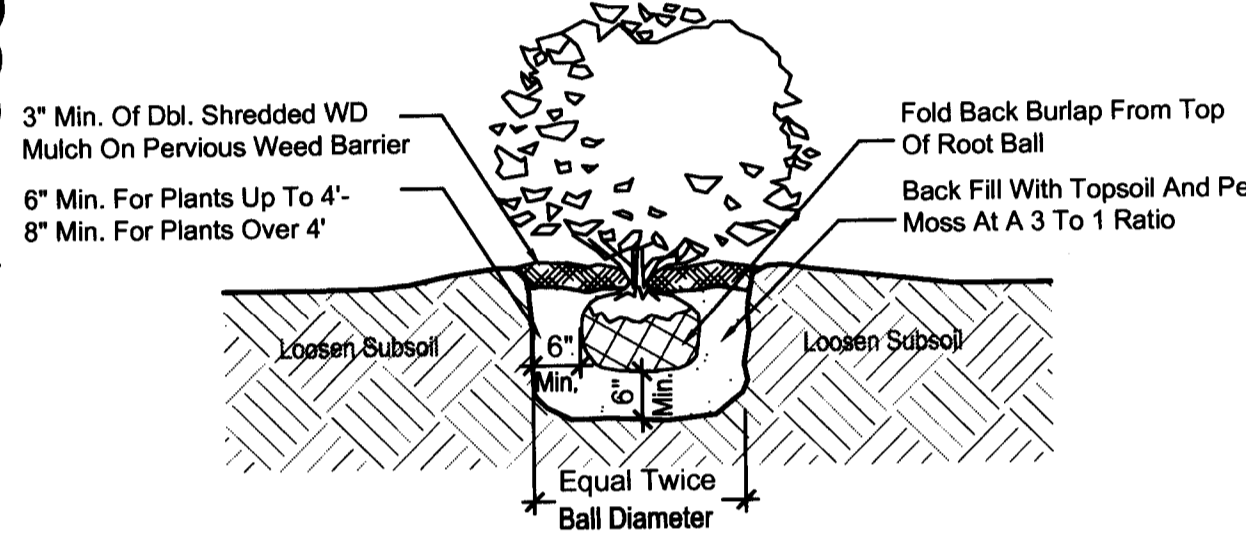
2 Bollard Detail
1/2" = 1'-0"



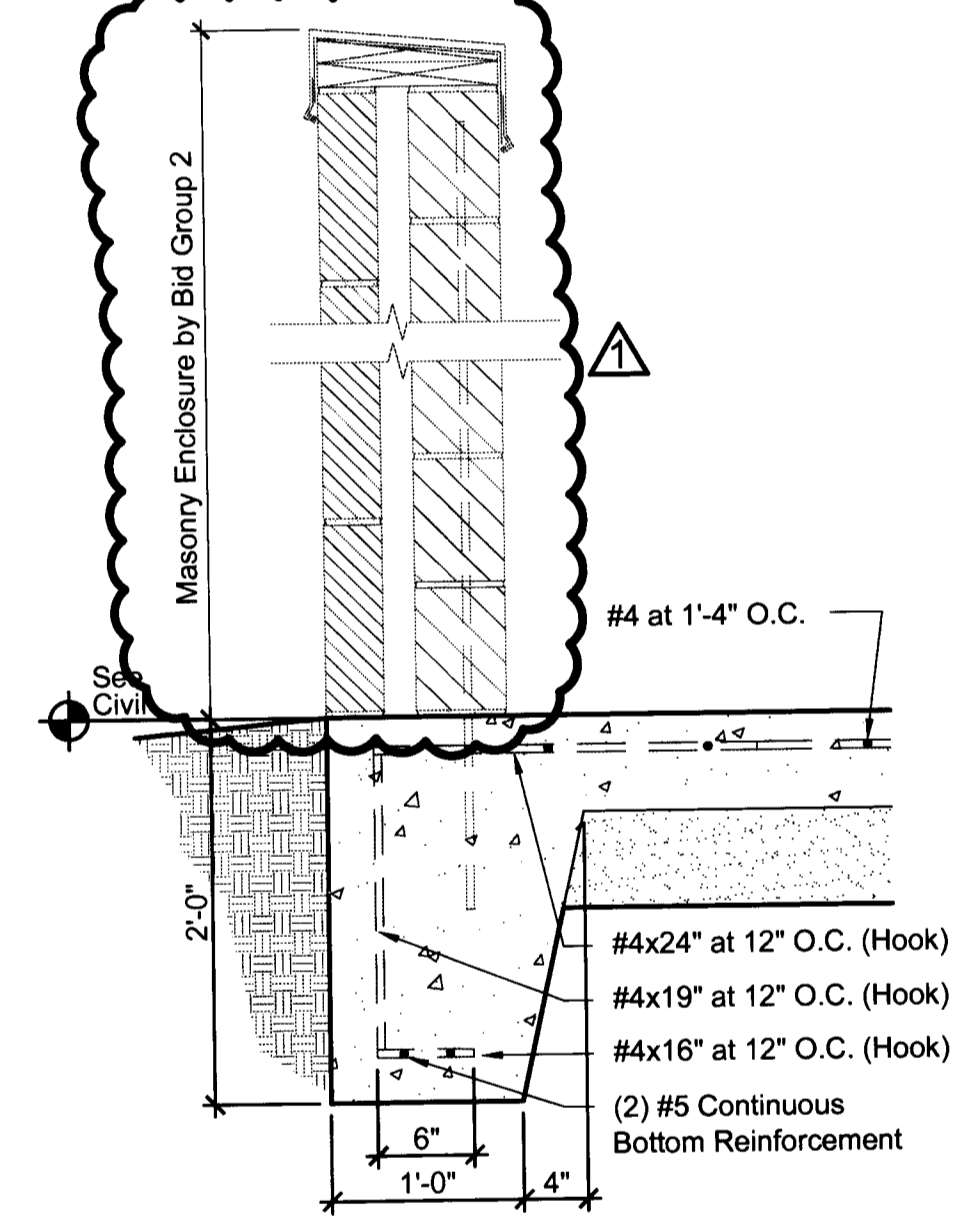
5 Tree Planting Detail
1/2" = 1'-0"



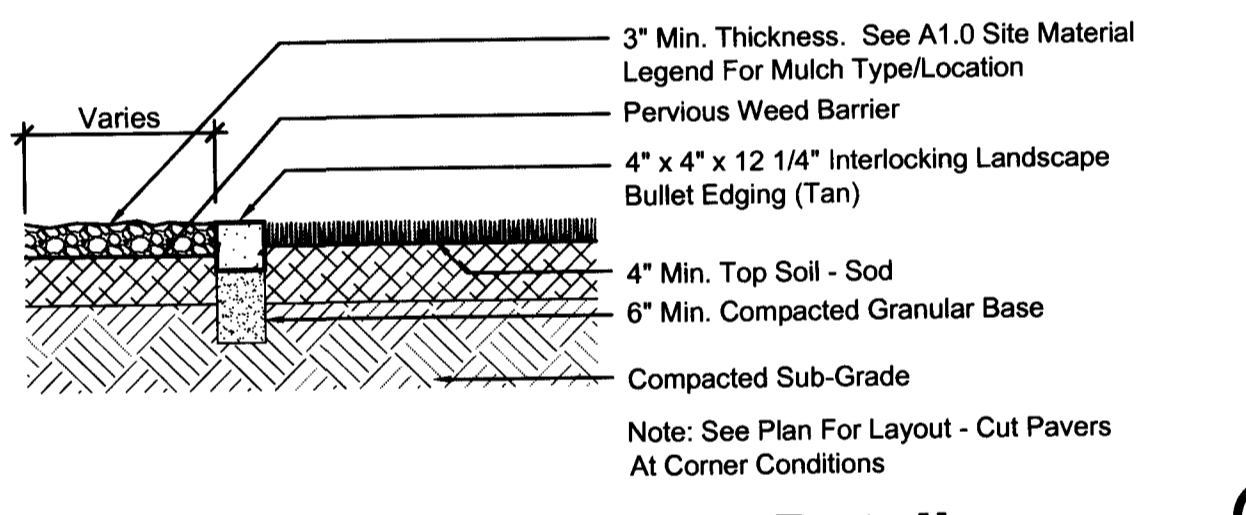
3 Dumpster Pad
1/4" = 1'-0"



6 Shrub Planting Detail
1/2" = 1'-0"



4 Dumpster Encl. Detail
1" = 1'-0"



7 Bullet Paver Edging Detail
3/4" = 1'-0"

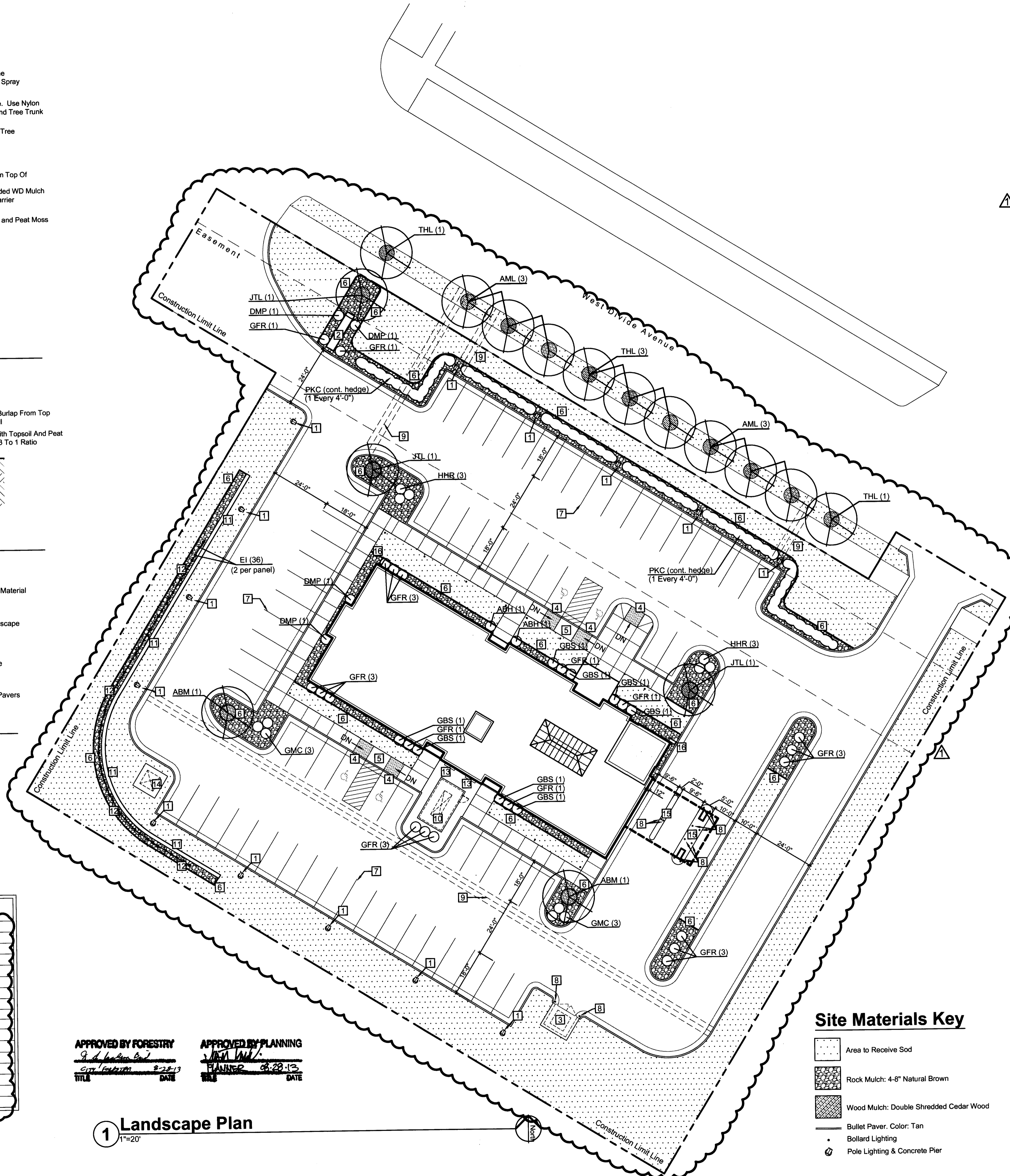
Landscape Plant List

SYMBOL	COMMON NAME	SCIENTIFIC NAME	SIZE	QTY.
SHRUBS				
ABH	Annabelle Hydrangea	Hydrangea arborescens 'Annabelle'	2 GAL.	2
PKC	Peking Cotoneaster	Cotoneaster acutifolius	2 GAL.	62
DMP	Dwarf Mugo Pine	Pinus mugo pumilio	2 GAL.	4
GBS	Globe Blue Spruce	Picea pungens 'Glauca Globosa'	2 GAL.	8
GFR	Grass (Feather Reed) 'Karl Foerster'	Calamagrostis x acutiflora 'Karl Foerster'	2 GAL.	21
GMC	Gold Mound Currant	Aureum	2 GAL.	6
HHR	Hope For Humanity Rose	Rosa 'Hope For Humanity'	2 GAL.	6
EI	Engelman Ivy	Parthenocissus Quinquefolia Englemanni	2 GAL.	36
		TOTAL		145
TREES				
AML	American Linden	Tilia americana	2" CAL.	6
ABM	Autumn Blaze Maple	Acer ginnala	2" CAL.	2
JTL	Japanese Tree Lilac 'Ivory Silk'	Syringa reticulata 'Ivory Silk'	2" CAL.	3
THL	Thornless Honey Locust	Gleditsia triacanthos var inermis	2" CAL.	5
		TOTAL		16

APPROVED BY FORESTRY
[Signature]
DATE 8-28-13

APPROVED BY PLANNING
[Signature]
DATE 8-28-13

1 Landscape Plan
1" = 20'



Site Materials Key

- Area to Receive Sod
- Rock Mulch: 4-8" Natural Brown
- Wood Mulch: Double Shredded Cedar Wood
- Bullet Paver. Color: Tan
- Bollard Lighting
- Pole Lighting & Concrete Pier