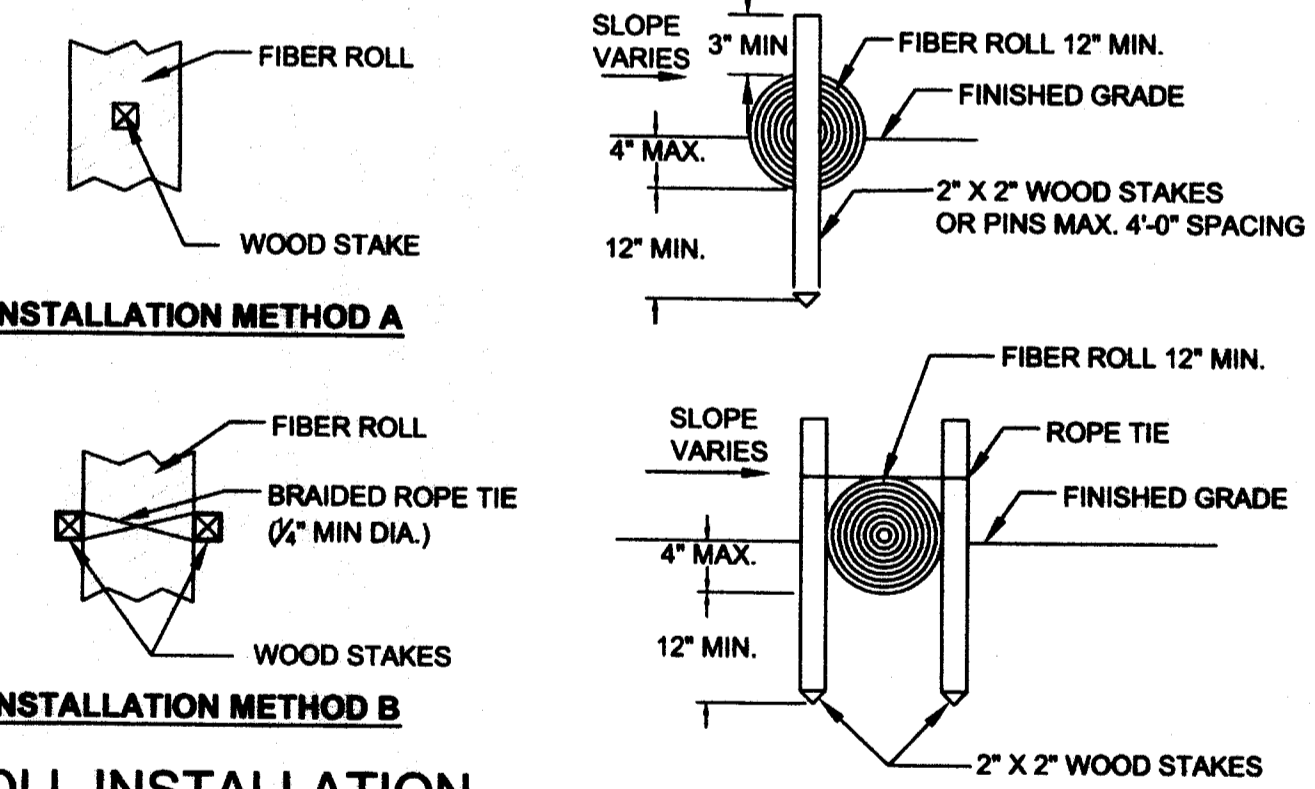
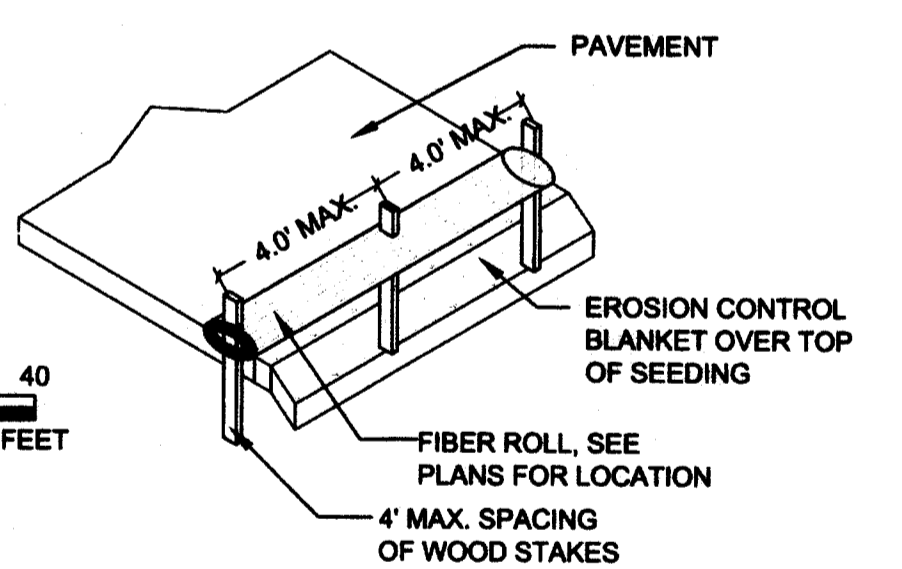
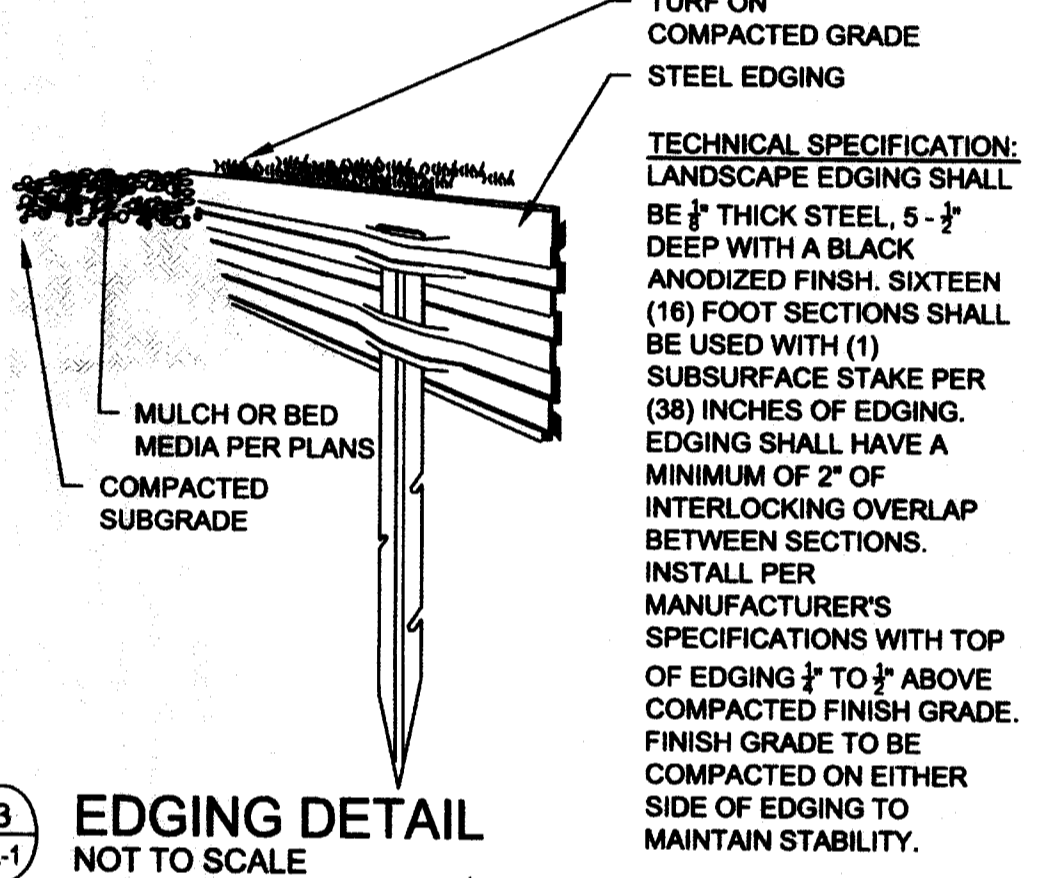
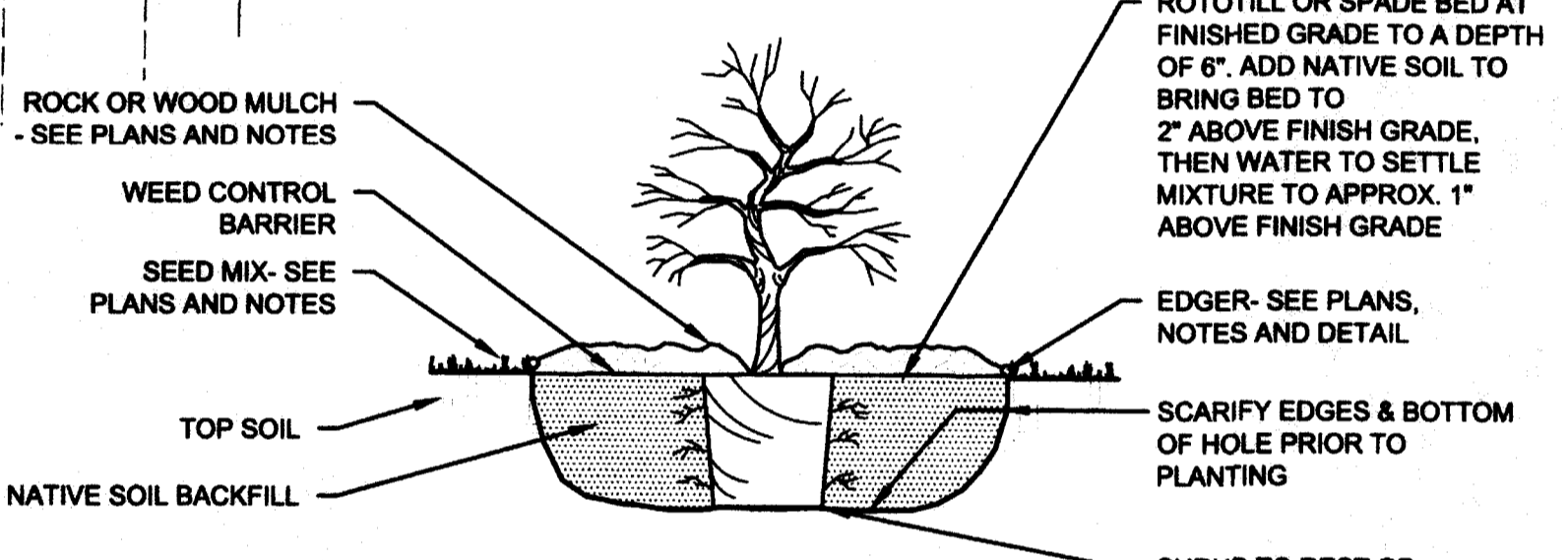
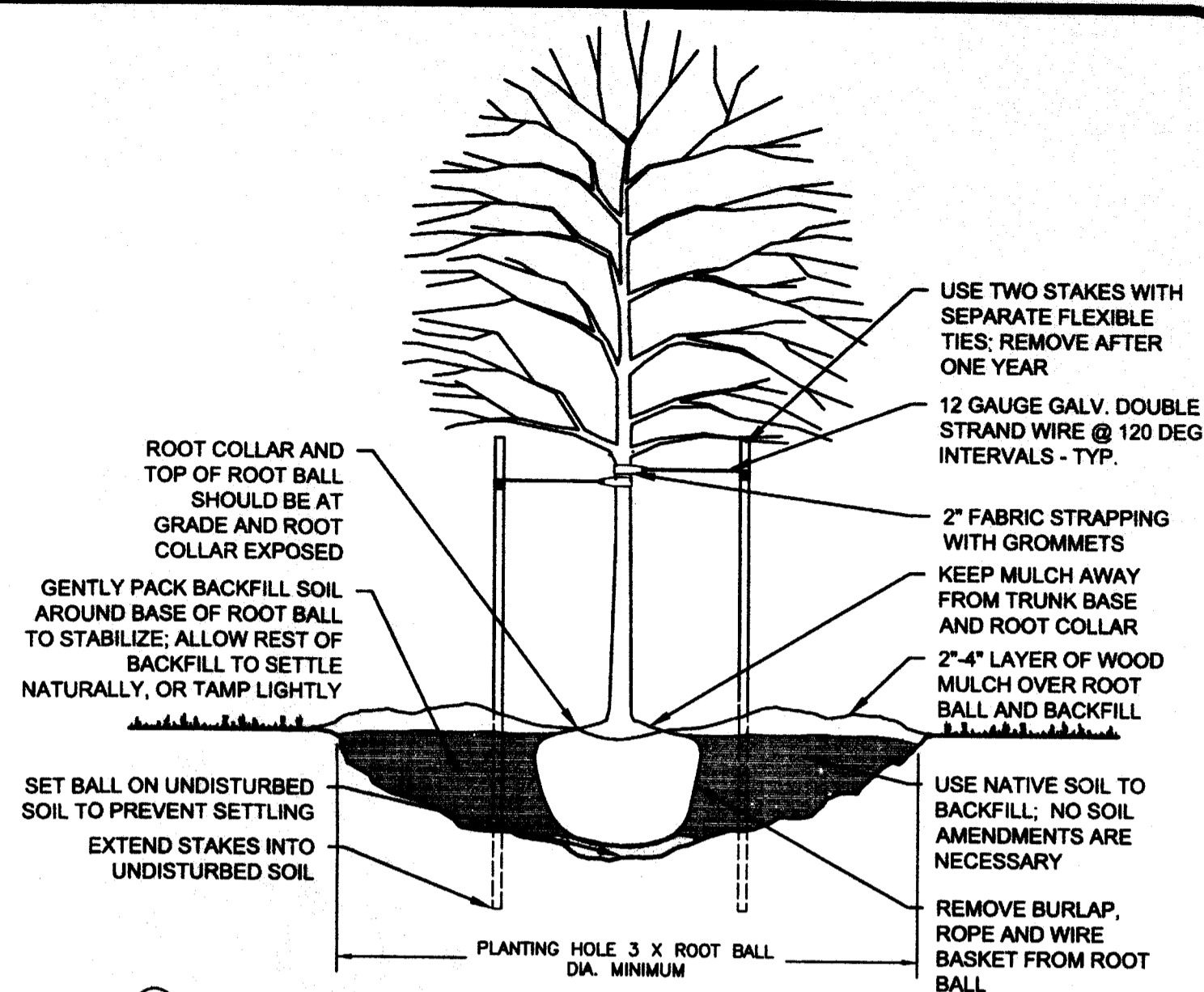


- LANDSCAPING KEYNOTES**
- INSTALL 3" DEPTH 1" WASHED LANDSCAPE ROCK OVER LANDSCAPE FABRIC.
 - INSTALL 4" METAL LANDSCAPE EDGING, TYP.
 - AREA TO BE SEEDED WITH IRRIGATED SEED MIX, SEE PLANTING NOTE 12 FOR IRRIGATED SEED MIX AND APPLICATION RATE.
 - AREA TO BE SEEDED WITH NON-IRRIGATED SEED MIX, SEE PLANTING NOTE 13 FOR NON-IRRIGATED SEED MIX AND APPLICATION RATE.
- INSTALL NORTH AMERICAN GREEN SC150BN BIONET EXTENDED - TERM BIODEGRADABLE EROSION CONTROL BLANKET OR APPROVED EQUAL PER MANUFACTURER'S RECOMMENDATIONS OVER TOP OF SEEDING.
- INSTALL 12" FIBER ROLL

APPROVED BY PLANNING
J.M. M...
PLANNER
8.01.13
DATE

APPROVED BY FORESTRY
B...
Forestry Dept. Supv.
8/1/13
DATE



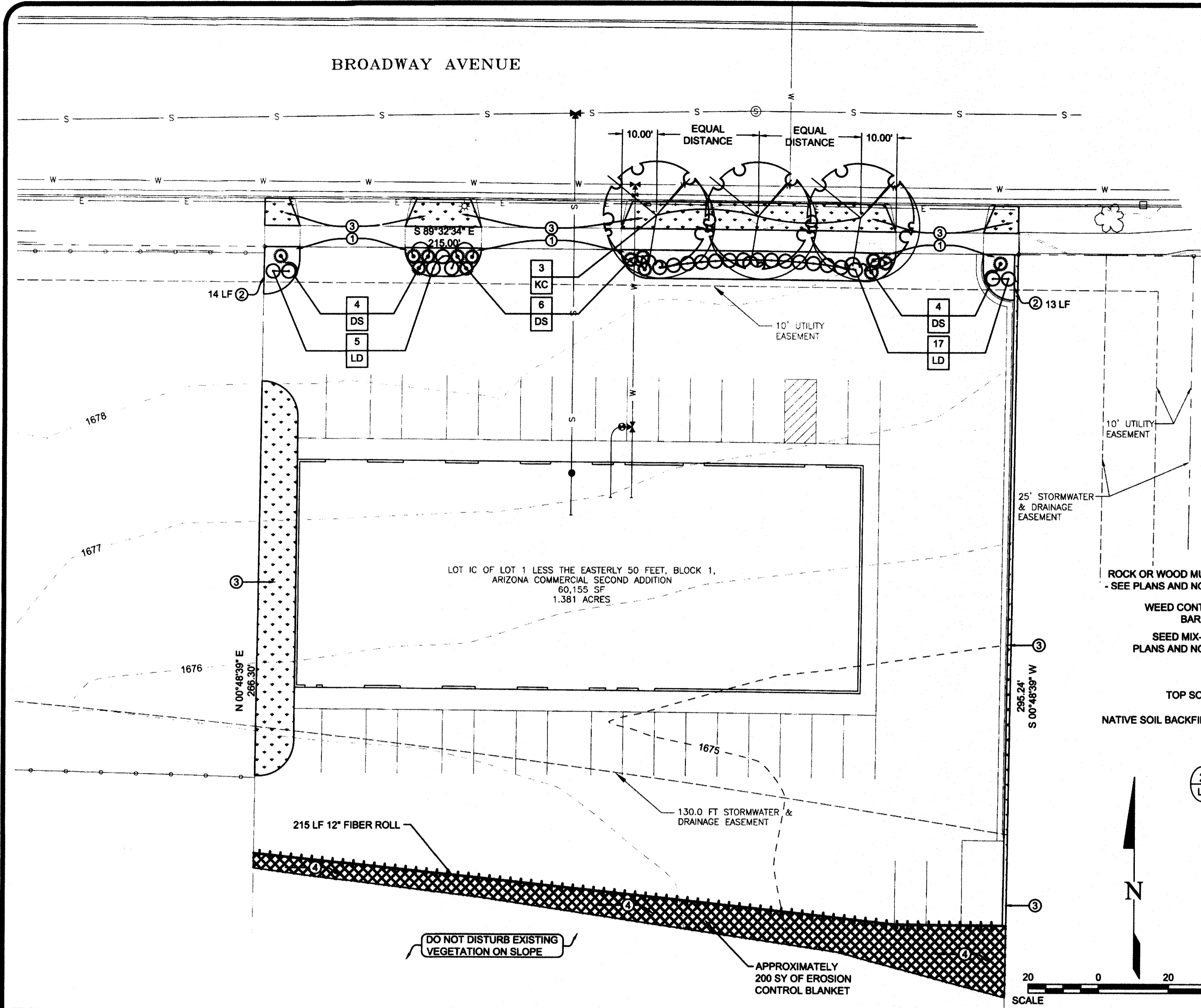
FIBER ROLL INSTALLATION
NOT TO SCALE

PLANTING SCHEDULE

Key	Qty	Common Name	Scientific Name	Size	Type	Comments
KC	3	KENTUCKY COFFEETREE	GYMNOCLADUS DIOICUS	1-1/2"	B&B	
LD	22	LITTLE DEVIL NINEBARK	PHYSCARPUS OPULIFOLIUS 'DONNA MAY'	2 GAL	CONT	
DS	14	DWARF NORWAY SPRUCE	PICEA ABIES 'PUMILA'	2 GAL	CONT	

- LANDSCAPING REQUIREMENTS**
- STREET TREES**
3 DECIDUOUS TREES ARE REQUIRED FOR EVERY 100 LINEAL FEET OF STREET FRONTAGE.
215.0' - 95.0'(3 ACCESS AISLES) = 102.0' - 60.0' (10' OFFSET FROM EDGE OF DRIVEWAY - BOTH SIDES) = 42.0' / 100' = 0.42 * 3 = 1.26 (1) TREE
- PERIMETER PARKING LOT LANDSCAPING:**
LESS THAN 100 PARKING LOT SPACES: 4' MIN. LANDSCAPING WIDTH & CONTINUOUS HEDGE ROW 3' IN HEIGHT.
- INTERIOR PARKING LOT LANDSCAPING**
N/A - LESS THAN 50 STALLS (29 TOTAL)
- BUFFER YARD LANDSCAPING**
N/A

This document was originally issued and sealed by Brett Gurholt, P.L.A., Registration Number 13 on 7/40/13 and the original documents are stored at KLJ, Bismarck, ND. This media should not be considered a certified document.



PLANTING NOTES

- PLANT MATERIAL SHALL NOT BE INSTALLED IN AREAS WHICH WILL CAUSE HARM TO ADJACENT STRUCTURES OR OBSTRUCT IRRIGATION SPRAY PATTERN (IF APPLICABLE). NOTIFY THE OWNER SHOULD CONFLICTS ARISE.
- PLANT LOCATIONS ARE DIAGRAMMATIC AND MAY BE ADJUSTED IN THE FIELD AT THE LANDSCAPE ARCHITECT'S REQUEST PRIOR TO INSTALLATION.
- FINISH GRADE OF PLANTING AREAS SHALL BE 2" BELOW ADJACENT PAVING. TAPER 3" DEPTH MULCH TOP DRESSING TO 1/2" DEPTH AT ADJACENT PAVING.
- ALL TREES TO RECEIVE 4" DEPTH OF SHREDDED HARDWOOD BARK MULCH SHOWN ON DETAIL 1/L-1 (3 TIMES ROOTBALL DIAMETER) UNLESS OTHERWISE NOTED. MULCH SHALL BE INCLUDED IN THE PRICE BID FOR EACH TREE.
- ALL NEWLY PLANTED MATERIAL SHALL BE THOROUGHLY SOAKED WITH WATER WITHIN 3 HOURS OF PLANTING. THOROUGHLY RE-SOAK ALL NEW PLANT MATERIALS ONE WEEK AFTER PLANTING COMPLETION.
- THIRTY DAYS AFTER PLANTING, CONTRACTOR SHALL RE-STAKE AND STRAIGHTEN TREES AS REQUIRED.
- CONTRACTOR SHALL THOROUGHLY LOOSEN ANY COMPACTED SUBGRADES PRIOR TO PLACING TOPSOIL, TO A MINIMUM DEPTH OF 4".
- CONTRACTOR SHALL IMPORT CLEAN TOPSOIL FREE OF WEEDS, RHIZOMES, ROCKS, STICKS, AND OTHER DELETERIOUS MATERIAL. LANDSCAPE ARCHITECT IS TO APPROVE TOPSOIL PRIOR TO INSTALLATION. CONTRACTOR SHALL BRING TO FINISH GRADE WITH 4" MIN. OF TOPSOIL IN ALL LAWN AREA, AND 12" MIN. TOPSOIL IN ALL PLANTING BEDS.
- CONTRACTOR SHALL REMOVE WEEDS, CONTAMINATED SOILS, MISC. WASTE MATERIALS FROM AREA TO BE PLANTED AND SEEDED/SODDED. CONTRACTOR SHALL LOOSEN COMPACTED SUBSOILS BY TILLING AND IMPORTING NEW TOPSOIL AS REQUIRED RESTORING GRADES AND MAINTAINING POSITIVE DRAINAGE AWAY FROM STRUCTURES.
- DO NOT INSTALL PLANT MATERIAL WHEN AMBIENT TEMPERATURES MAY DROP BELOW 35 DEGREES F OR RISE ABOVE 90 DEGREES F. DO NOT INSTALL PLANT MATERIAL WHEN WIND VELOCITY EXCEEDS 30 MPH. ACCEPTABLE PLANTING DATES SHALL BE AS FOLLOWS:
SPRING: APRIL 15 - JUNE 15
FALL: SEPTEMBER 15 - NOVEMBER 1
- WEED FABRIC SHALL BE INCLUDED UNDER ALL AREAS RECEIVING ROCK MULCHING. ACCEPTABLE FABRIC SHALL BE 5 OZ. WOVEN, NEEDLE PUNCHED, POLYPROPYLENE FABRIC DESIGNED FOR PROFESSIONAL AND COMMERCIAL USE. PLASTIC AND OTHER NON-BREATHABLE MATERIAL WILL NOT BE ACCEPTED. WEED FABRIC SHALL BE INCIDENTAL TO PLANT BID ITEMS.
- CONTRACTOR SHALL PROVIDE AND INSTALL IRRIGATED SEED MIX AS FOLLOWS:
DIMENSION PERENNIAL RYE 9 PERCENT BONANZA TALL FESCUE 24 PERCENT
ADELPHI KENT BLUE 22 PERCENT PARADE BLUEGRASS 8 PERCENT
MERIT KENT BLUE 8 PERCENT ANNUAL RYEGRASS 15 PERCENT
GERONIMO KENT BLUE 14 PERCENT
CONTRACTOR SHALL APPLY SEED AT A DRILLED RATE OF 20 POUNDS/10,000 SQUARE FEET WITH A MINIMUM COVERAGE 95 PERCENT. SEED AND SEEDING MIXTURE SHALL BE FREE OF ALL PROHIBITED NOXIOUS WEED SEED AND WILL NOT CONTAIN MORE THAN 1/2 OF 1 PERCENT BY WEIGHT OR RESTRICTED NOXIOUS WEED SEEDS.
- CONTRACTOR SHALL PROVIDE AND INSTALL NON-IRRIGATED SEED MIX AS FOLLOWS:
PERENNIAL RYE GRASS 20 PERCENT WESTERN WHEATGRASS 20 PERCENT
PUBESCENT WHEATGRASS 20 PERCENT CRESTED WHEATGRASS 20 PERCENT
BROME GRASS 20 PERCENT
CONTRACTOR SHALL APPLY SEED AT A DRILLED RATE OF 3.5 POUNDS/10,000 SQUARE FEET WITH A MINIMUM COVERAGE 95 PERCENT. SEED AND SEEDING MIXTURE SHALL BE FREE OF ALL PROHIBITED NOXIOUS WEED SEED AND WILL NOT CONTAIN MORE THAN 1/2 OF 1 PERCENT BY WEIGHT OR RESTRICTED NOXIOUS WEED SEEDS.