

**KEYNOTES:**

- ① 4"x12" CONCRETE LANDSCAPE EDGER
- ② 3" DEPTH, 1" CRUSHED WASHED LANDSCAPE ROCK, OVER LANDSCAPE FABRIC
- ③ SEED AREA WITH SEED AS FOLLOWS:

CONTRACTOR SHALL PROVIDE AND INSTALL SEED MIX AS FOLLOWS:  
 WESTERN WHEATGRASS 25 PERCENT  
 CRESTED WHEATGRASS 25 PERCENT  
 PERENNIAL RYEGRASS 25 PERCENT  
 KENTUCKY BLUEGRASS 25 PERCENT  
 CONTRACTOR SHALL APPLY SEED AT A DRILLED RATE OF 14 POUNDS/10,000 SQUARE FEET WITH A MINIMUM COVERAGE OF 95 PERCENT. SEED AND SEEDING MIXTURE SHALL BE FREE OF ALL PROHIBITED NOXIOUS WEED SEED AND WILL NOT CONTAIN MORE THAN 1/2 OF 1 PERCENT BY WEIGHT OR RESTRICTED NOXIOUS WEED SEEDS.

**PLANT SCHEDULE**

TREES						
CODE	QTY	COMMON NAME	BOTANICAL NAME	TYPE	SIZE	COMMENTS
AH	6	Manchurian Alder	Alnus hirsuta	B & B	1.5"Cal	
UA	3	Accolade Elm	Ulmus x 'Accolade'	B & B	1.5"Cal	
MS	3	Spring Snow Crab Apple	Malus x 'Spring Snow'	CONT	1"Cal	
SS	2	Copper Curfs Lilac	Syringa pekinensis 'Sundak'	CONT	1"Cal	
SHRUBS/PERENNIALS						
SHRUBS	QTY	COMMON NAME	BOTANICAL NAME	TYPE	SIZE	COMMENTS
CA	14	Arctic Fire Dogwood	Cornus sericea 'Arctic Fire'	CONT	2Gal	
JD	27	Blueberry Delight Juniper	Juniperus communis depressa 'Blueberry Delight'	CONT	2Gal	
HB	60	Black Eyed Susan Daylily	Hemerocallis x 'Black Eyed Susan'	CONT	1Gal	

**LANDSCAPING REQUIREMENTS:**

**STREET TREES**  
 3 DECIDUOUS TREES ARE REQUIRED FOR EVERY 100 LINEAL FEET OF STREET FRONTAGE:  
 SOUTH: 300' - 72' (2 ACCESS AISLE) - 40' (4 - 10' OFFSETS) = 188' / 100 = 1.88 \* 3 = 5.64 (6) TREES

**PERIMETER PARKING LOT LANDSCAPING**  
 LESS THAN 100 PARKING LOT SPACES: 1 SHADE OR ORNAMENTAL TREES AND 5 SHRUBS FOR EVERY 25 LINEAL FEET OF STREET FRONTAGE:  
 SOUTH: 190' / 25 = 7.6 \* 1 = 7.6 (8) TREES  
 190' / 25 = 7.6 \* 5 = 38 SHRUBS

**INTERIOR LOT LANDSCAPING**  
 PARKING LOT CONTAINS LESS THAN 50 PARKING STALLS  
 SOUTH: N/A

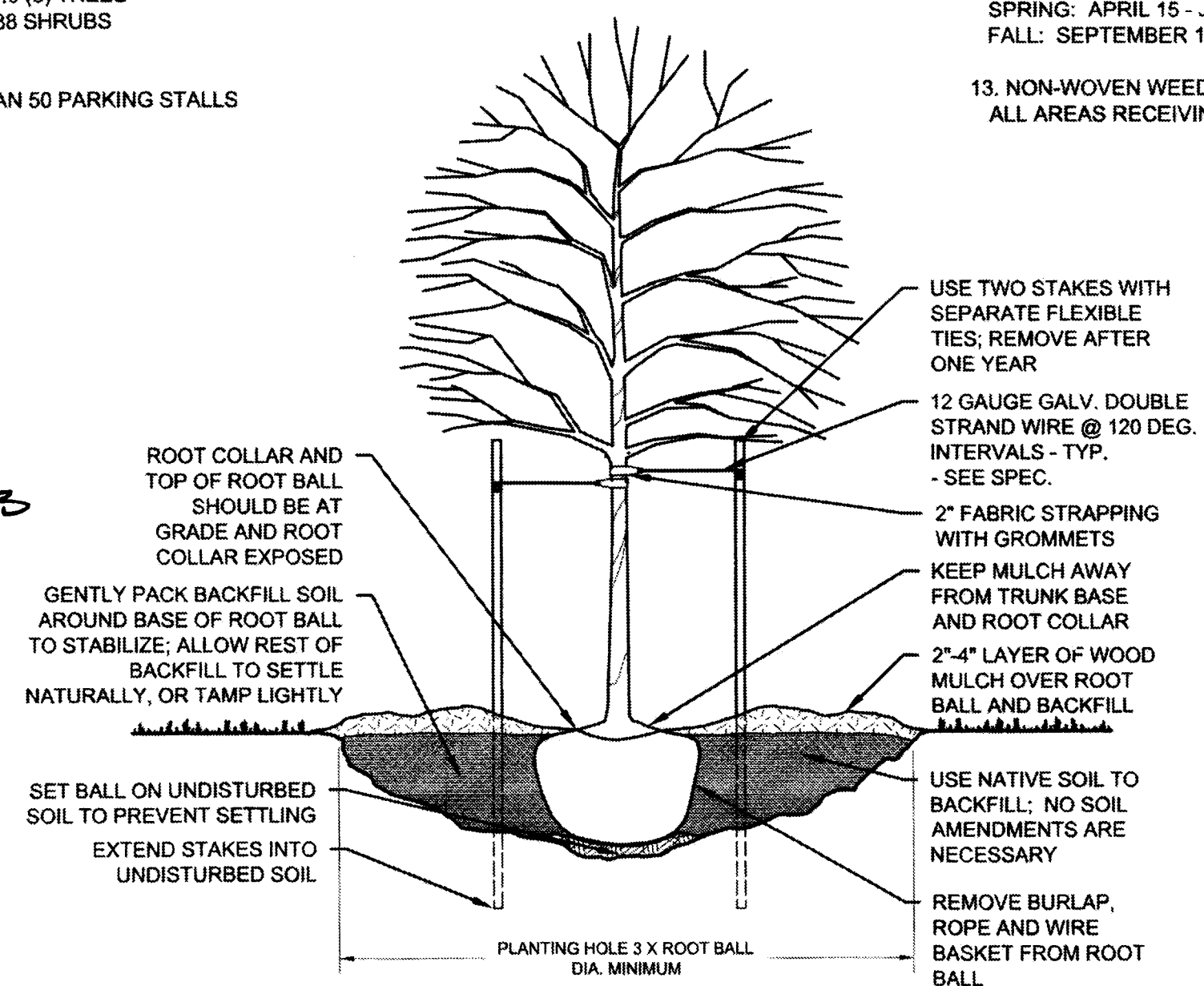
**BUFFER YARD LANDSCAPING**  
 N/A

**APPROVED BY PLANNING**  
 TITLE: CITY FORESTER DATE: 5-2-13

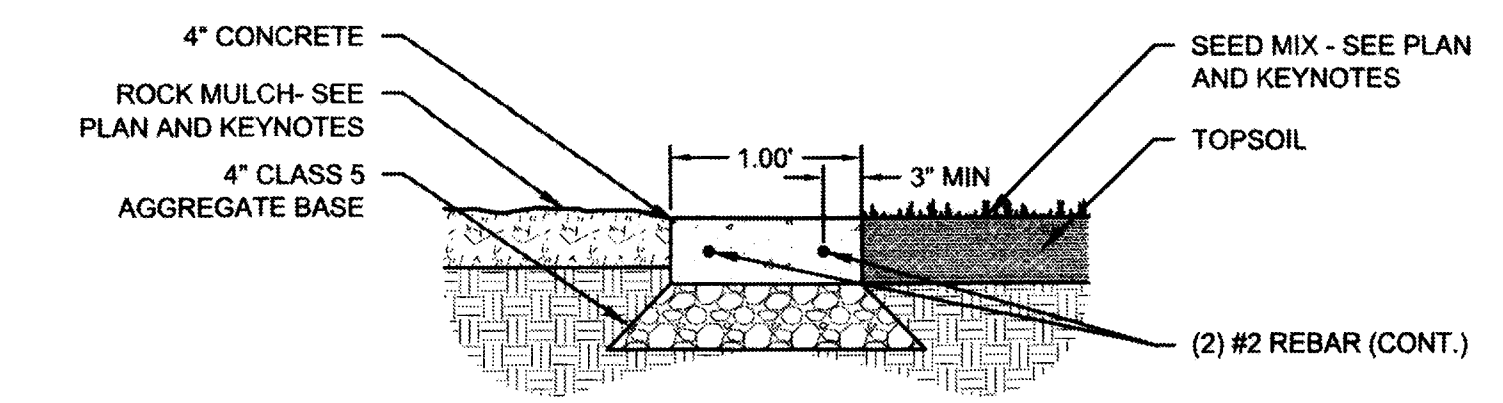
**APPROVED BY FORESTRY**  
 TITLE: PLANNER DATE: 05-02-13

**PLANTING NOTES:**

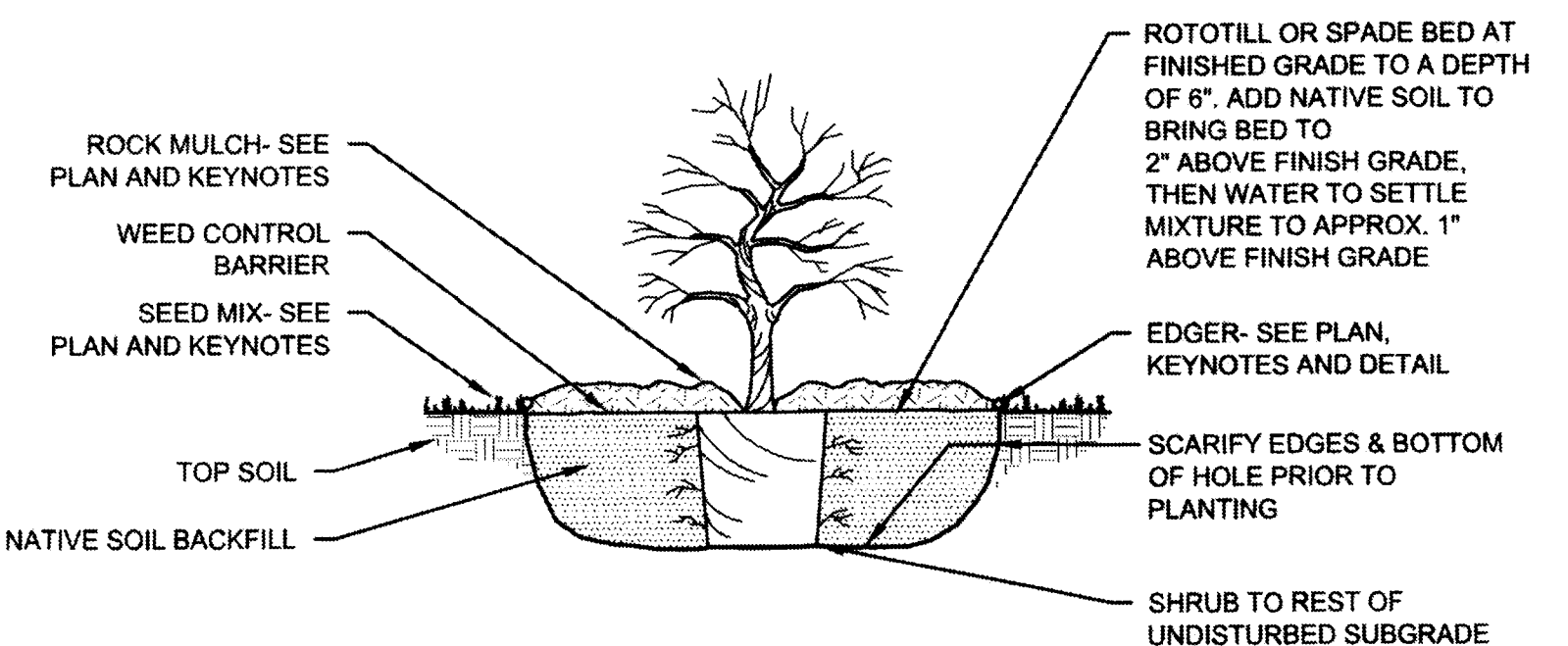
1. FINE GRADING SHALL BE APPROVED BY LANDSCAPE ARCHITECT PRIOR TO PLANTING OPERATIONS.
2. CONTRACTOR SHALL LAY OUT PLANT MATERIAL PER PLAN AND FACE TO GIVE BEST APPEARANCE OR RELATION TO ADJACENT PLANTS, STRUCTURES OR VIEWS. CONSULT WITH LANDSCAPE ARCHITECT TO OBTAIN APPROVAL PRIOR TO INSTALLATION.
3. PLANT MATERIAL SHALL NOT BE INSTALLED IN AREAS WHICH WILL CAUSE HARM TO ADJACENT STRUCTURES OR OBSTRUCT IRRIGATION SPRAY PATTERN (IF APPLICABLE). NOTIFY THE OWNER SHOULD CONFLICTS ARISE.
4. PLANT LOCATIONS ARE DIAGRAMMATIC AND MAY BE ADJUSTED IN THE FIELD AT THE LANDSCAPE ARCHITECT'S REQUEST PRIOR TO INSTALLATION.
5. FINISH GRADE OF PLANTING AREAS SHALL BE 2" BELOW ADJACENT PAVING. TAPER 4" DEPTH MULCH TOP DRESSING TO 1 1/2" DEPTH AT ADJACENT PAVING.
6. TREES IN BOULEVARD TO RECEIVE 4" DEPTH OF SHREDDED HARDWOOD BARK MULCH 3 TIMES THE DIA. OF THE ROOTBALL UNLESS OTHERWISE NOTED. MULCH SHALL BE INCLUDED IN THE PRICE BID FOR EACH TREE.
7. ALL NEWLY PLANTED MATERIAL SHALL BE THOROUGHLY SOAKED WITH WATER WITHIN 3 HOURS OF PLANTING. THOROUGHLY RE-SOAK ALL NEW PLANT MATERIALS ONE WEEK AFTER PLANTING COMPLETION.
8. THIRTY DAYS AFTER PLANTING, CONTRACTOR SHALL RE-STAKE AND STRAIGHTEN TREES AS REQUIRED.
9. CONTRACTOR SHALL THOROUGHLY LOOSEN ANY COMPACTED SUBGRADES PRIOR TO PLACING TOPSOIL, TO A MINIMUM DEPTH OF 4".
10. CONTRACTOR SHALL IMPORT CLEAN TOPSOIL FREE OF WEEDS, RHIZOMES, ROCKS, STICKS, AND OTHER DELETERIOUS MATERIAL. LANDSCAPE ARCHITECT IS TO APPROVE TOPSOIL PRIOR TO INSTALLATION. CONTRACTOR SHALL BRING TO FINISH GRADE WITH 6" MIN. OF TOPSOIL IN ALL LAWN AREAS AND 12" IN PLANTING BEDS.
11. CONTRACTOR SHALL REMOVE WEEDS, CONTAMINATED SOILS, MISC. WASTE MATERIALS FROM AREA TO BE PLANTED AND SEEDED/SODDED. CONTRACTOR SHALL LOOSEN COMPACTED SUBSOILS BY TILLING AND IMPORTING NEW TOPSOIL AS REQUIRED RESTORING GRADES AND MAINTAINING POSITIVE DRAINAGE AWAY FROM STRUCTURES.
12. DO NOT INSTALL PLANT MATERIAL WHEN AMBIENT TEMPERATURES MAY DROP BELOW 35 DEGREES F OR RISE ABOVE 90 DEGREES F. DO NOT INSTALL PLANT MATERIAL WHEN WIND VELOCITY EXCEEDS 30 MPH. ACCEPTABLE PLANTING DATES SHALL BE AS FOLLOWS:  
 SPRING: APRIL 15 - JUNE 15  
 FALL: SEPTEMBER 15 - NOVEMBER 1
13. NON-WOVEN WEED FABRIC (4 OZ MIN) SHALL BE INCLUDED UNDER ALL AREAS RECEIVING ROCK MULCHING.



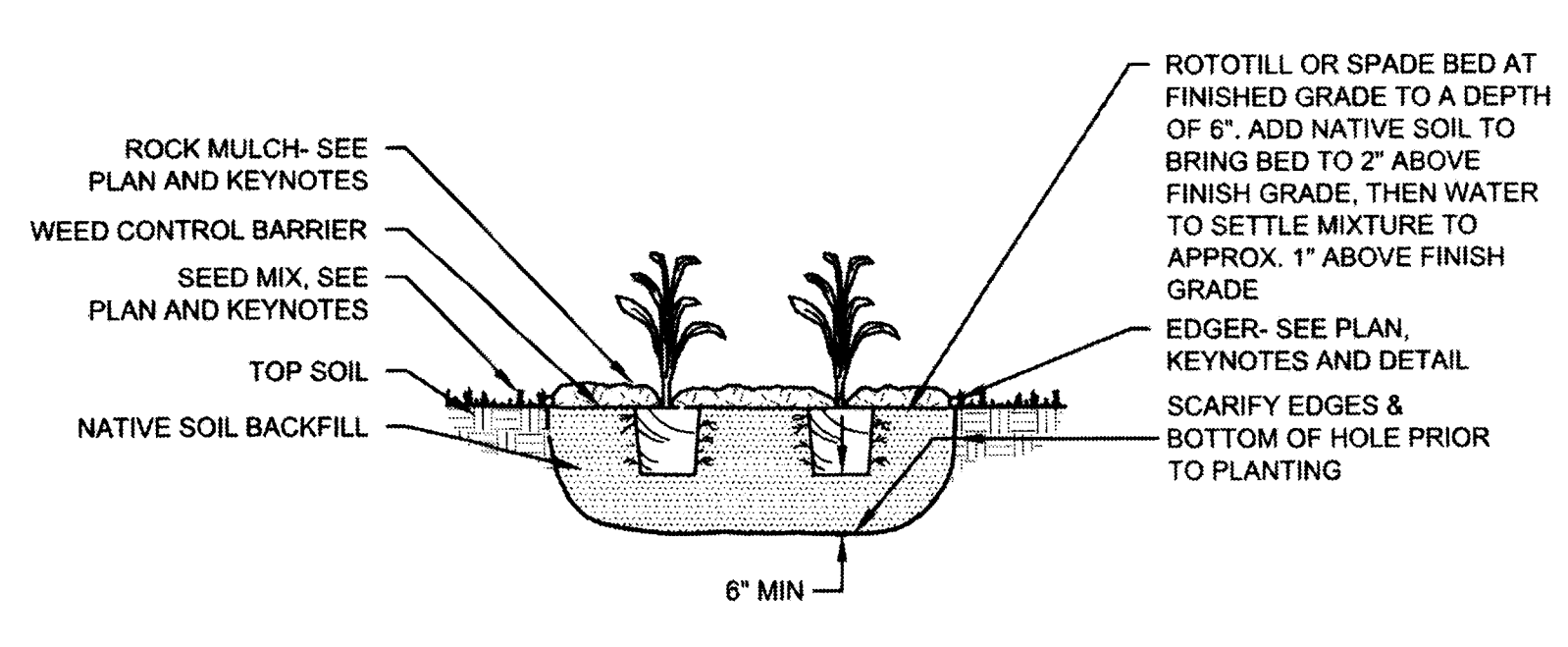
**DECIDUOUS TREE PLANTING DETAIL**  
 NO SCALE



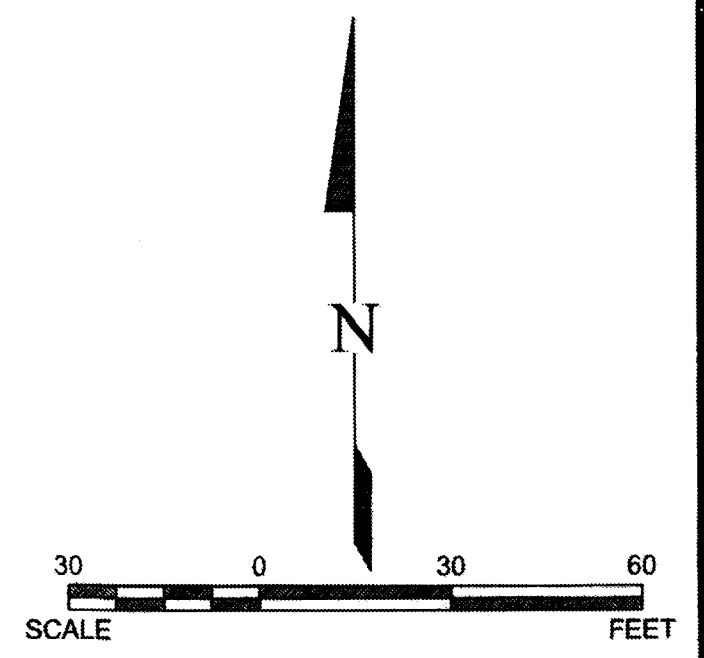
**CONCRETE EDGING DETAIL**  
 NO SCALE



**SHRUB PLANTING DETAIL**  
 NO SCALE



**PERENNIAL PLANTING DETAIL**  
 NO SCALE



I hereby certify that this plan specification, or report was prepared by me or under my direct supervision, and that I am a duly Registered Landscape Architect under the laws of the State of North Dakota.  
 Date 4/22/13 Reg. No. 13

REVISION	
DATE	
NO.	
DRAFTED	DMM
REVIEWED	DMM
PROJECT NUMBER	1612619
ISSUE DATE	04/22/2013

**PRAXAIR DISTRIBUTION PLANT**  
 PRAXAIR DISTRIBUTING INC.  
 BISMARCK, NORTH DAKOTA  
**LANDSCAPE PLAN**